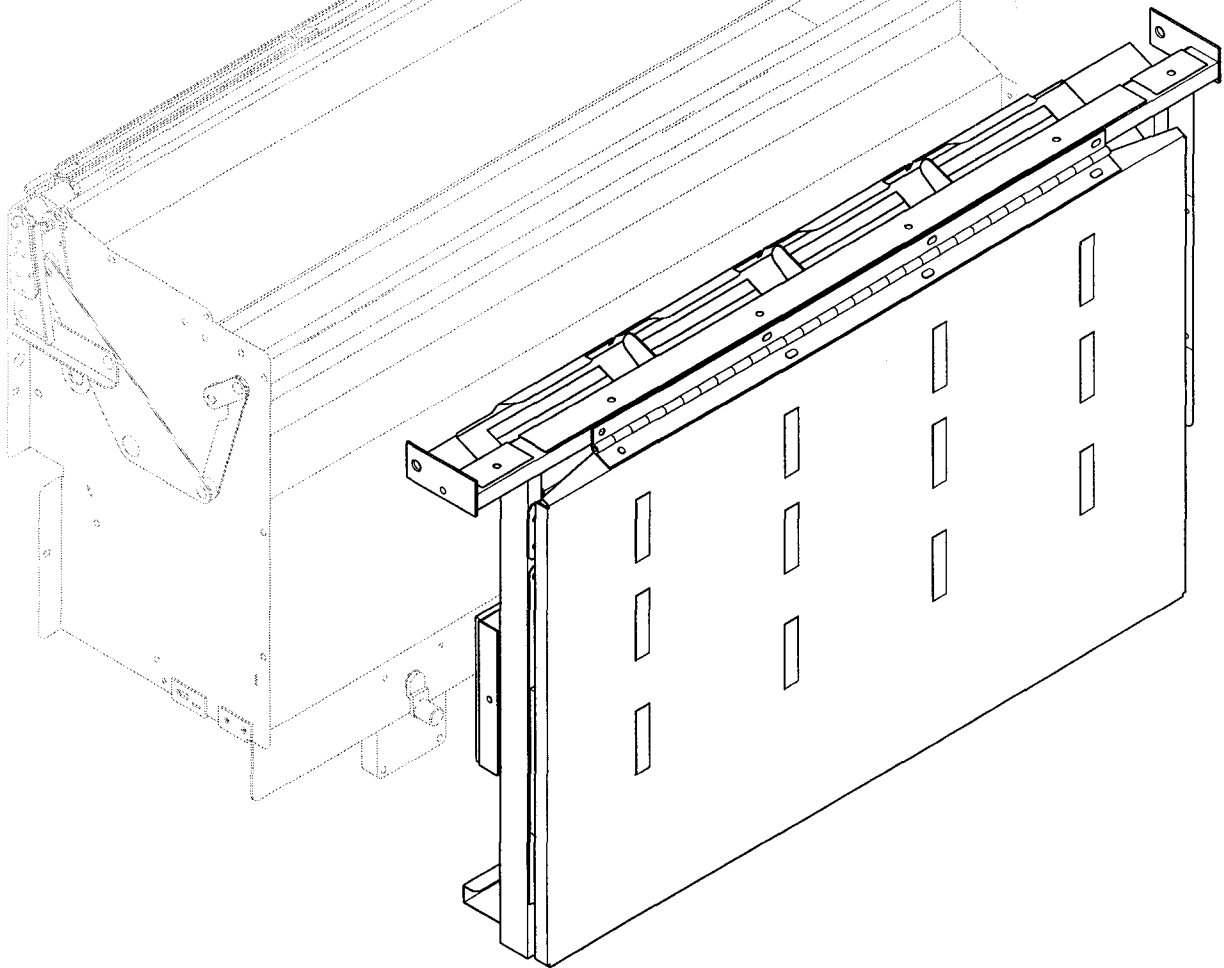


Model 167H, 764H

Smith's Gum & Mint Unit



CRANE NATIONAL VENDORS

12955 Enterprise Way
Bridgeton, Missouri 63044-1200
(314) 298-3500

www.nationalvendors.com

Copyright© 9-00

Reflects Bill of Material 08-00

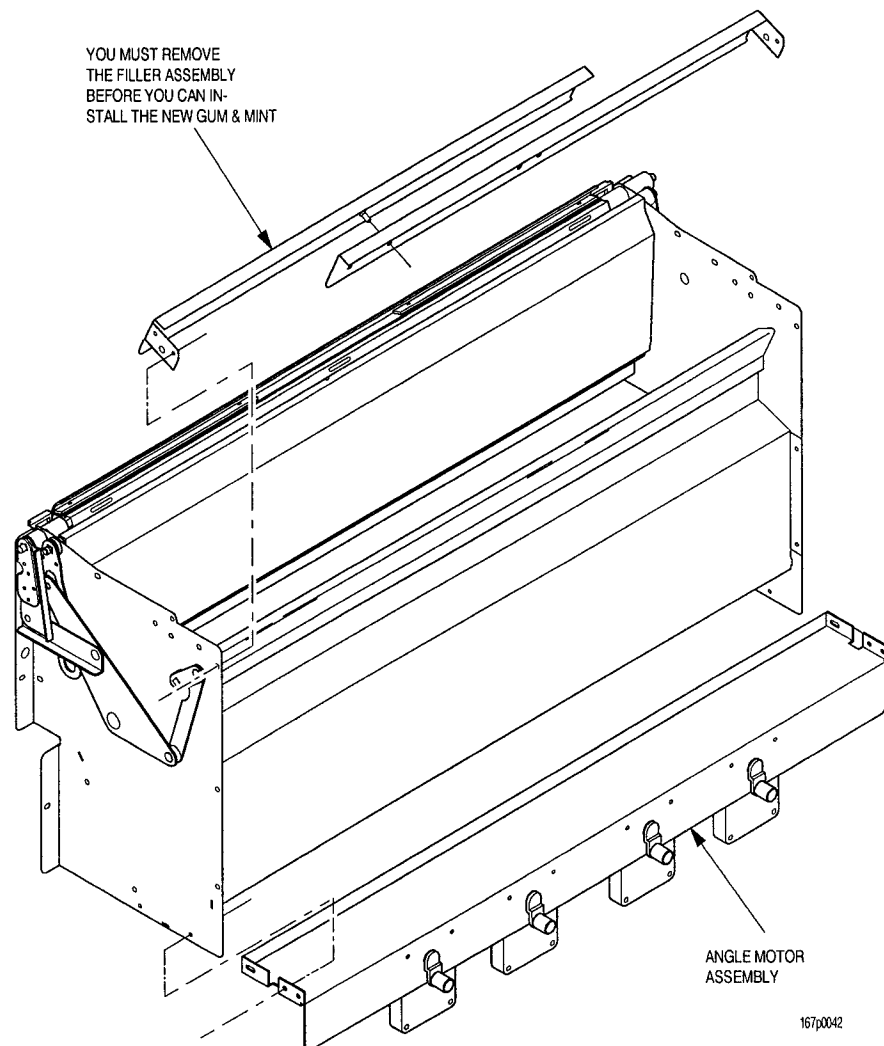
1670015

Set Up The Gum and Mint Dispenser

Install the EPROM version 14 per included instructions.

1. Install the Gum and Mint Dispenser

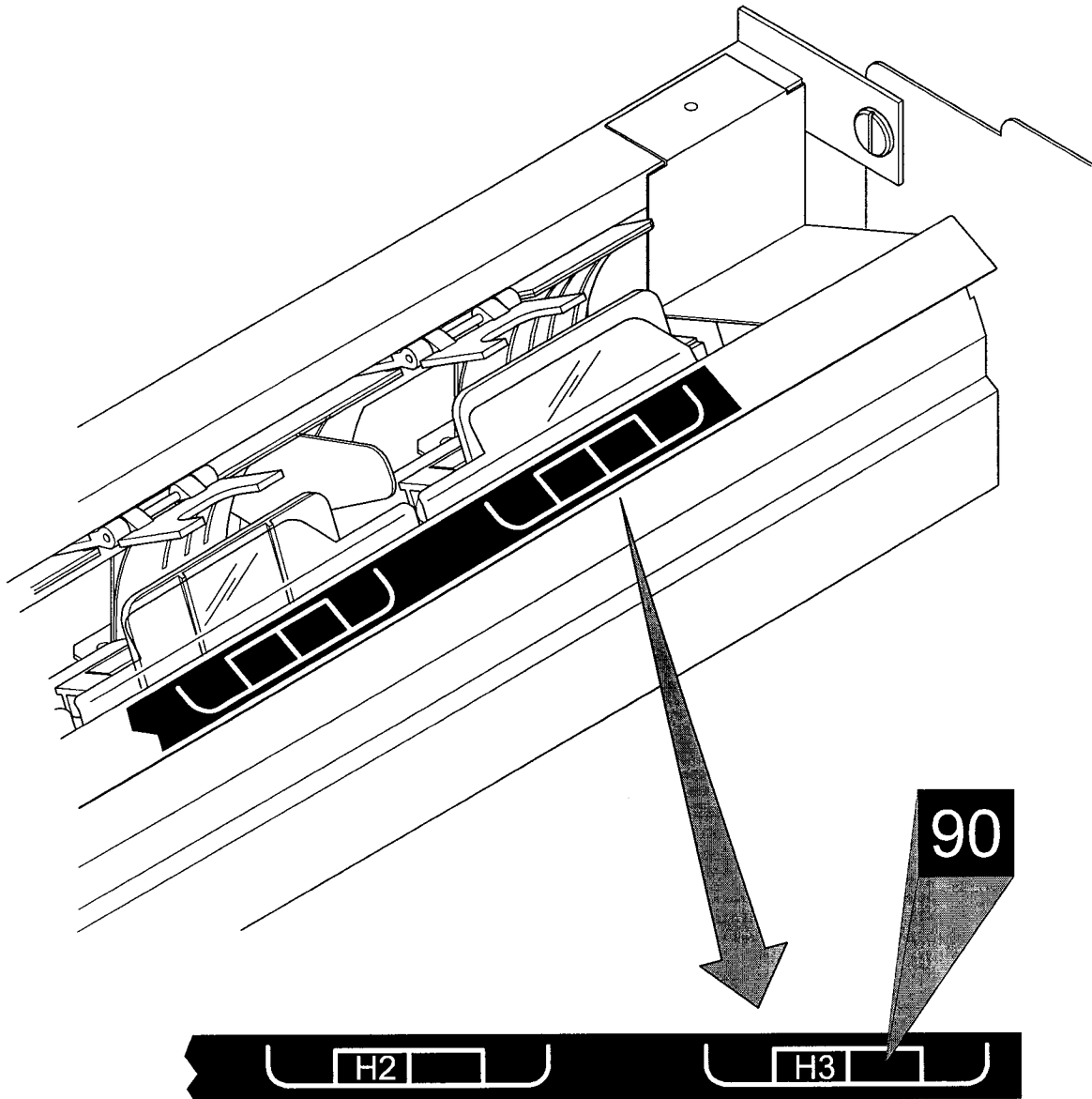
1. Remove the filler assembly (shown).
2. Install the gum and mint dispenser to your machine.
3. Install the angle motor assembly (shown).



2. Install Price Labels

The column ID labels have to be attached. Place them in front of the product windows as shown.

1. Stick the desired price label next to the column ID number as shown.

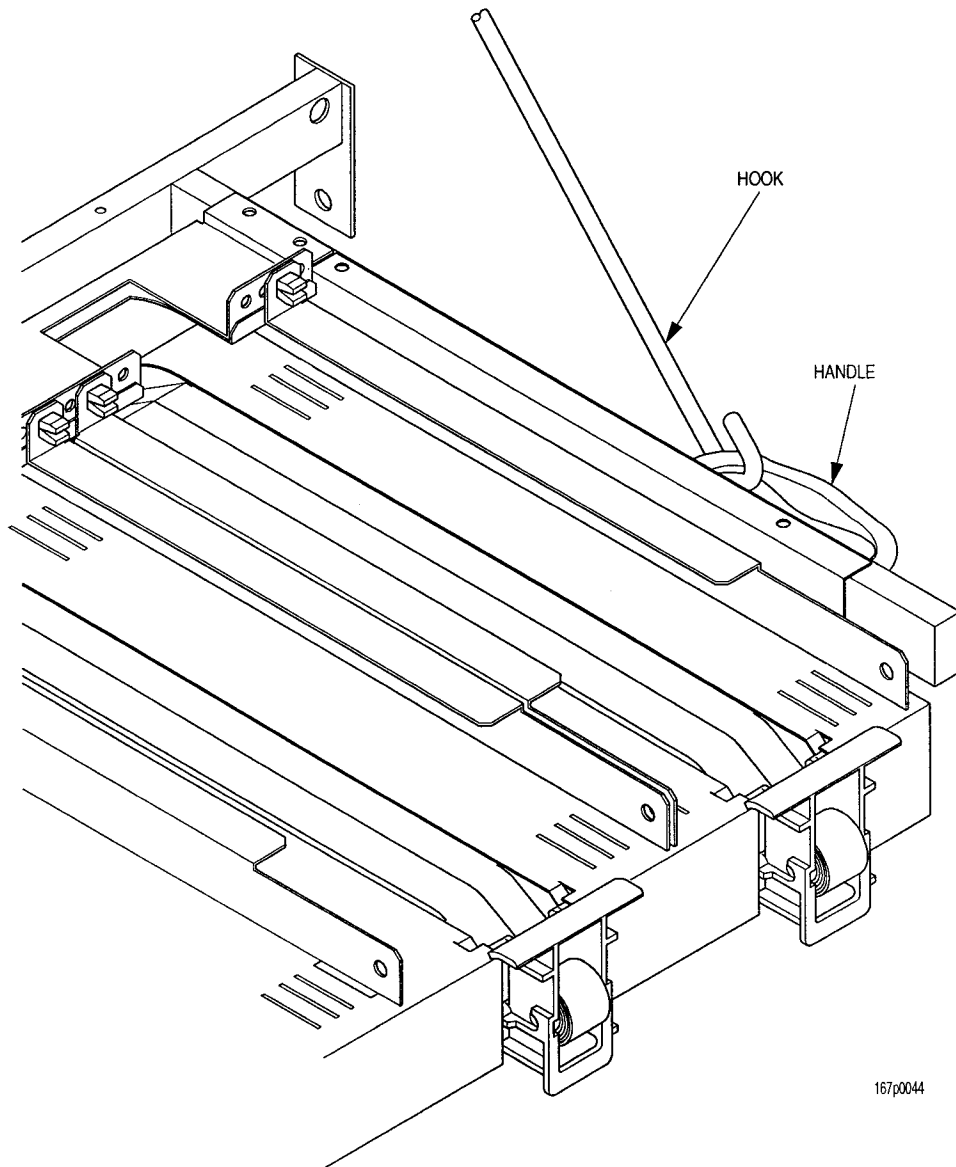


167p0043

3. Put the Gum and Mint Dispenser in the Loading Positon

The gum and mint dispenser is hinged to the delivery pan assembly and is held in the vending position by two magnets. The gum and mint dispenser is held in the loading position by a hook and the handle. One end of the hook is attached to the right side of the door. The handle is mounted on the right side of the gum and mint assembly.

1. Using the handle, raise the gum and mint magazine with your left hand. With your right hand, move the free end of the hook so it catches the handle. This will hold the magazine while you are loading it with product, as shown.



167p0044

4. Adjust the Gum and Mint Dispenser to Vend Products

There are several ways to adjust the unit to dispense various sized products.

- To adjust for wider or narrower products, remove the screws holding the two product guides, then slide them back and out of their slots. *See table A for adjustment for specific products.* In general, allow sufficient room for the product to move in the dispenser without binding, but not so much room that the product can turn sideways. NOTE: Adjust the product guides so that the product is centered on the product pusher. Make sure there is one product guide on each side of a center divider.
- To adjust for the height of a product, spacers can be inserted on the product guides. Note that the spacers can be installed so that a thicker or thinner side is near the product. *See table A for adjustment for specific products.* In general, allow just enough space for the product to move freely.

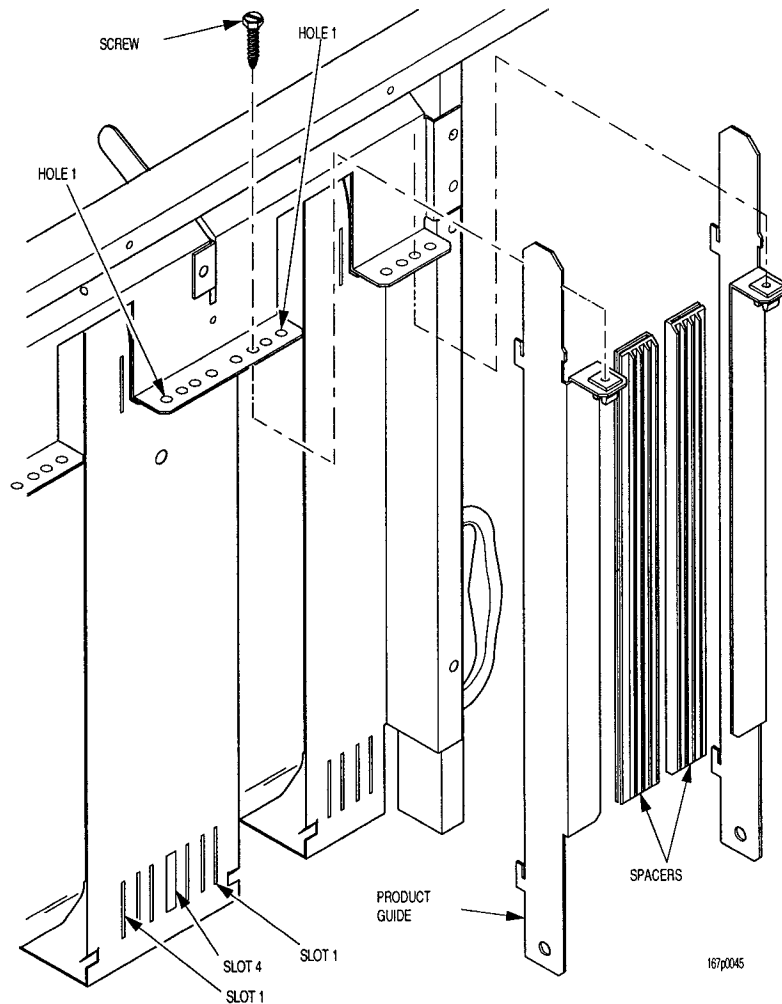


Table A. Loading Specific Products

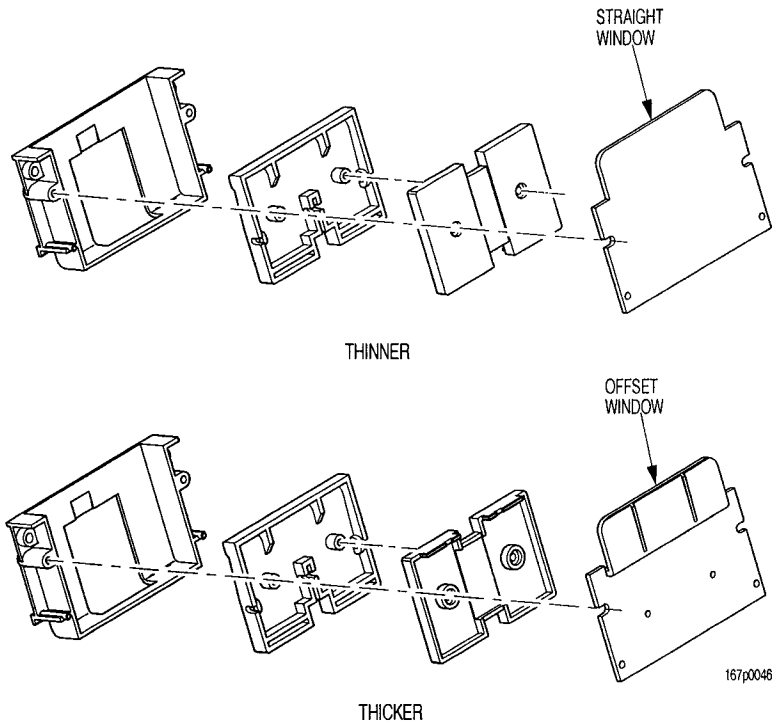
PRODUCT NAME	QTY PER COLUMN	USED IN SELECTION				GUIDE LOCATIONS	SPACER SETUP	EJECTOR SETUP
		H0	H1	H2	H3			
Minties	12					Hole 3, Slot 3	Thick	Thick
Frutips	18					Hole 4, Slot 4	Thick	Thin
Kool Fruits/Kool Mints	17					Hole 4, Slot 4	Thick	Thin
XXX	14					Hole 3, Slot 3	None	Thick
BUTTER-MENTHOL	17					Hole 2, Slot 2	Thick	Thin
Soothers	17					Hole 2, Slot 2	Thick	Thin
LIFE SAVERS	18					Hole 1, Slot 1	Thick	Thin
Columbines	17					Hole 4, Slot 4	Thick	Thin

Note: For an installed module, selection H0 is on the cabinet hinge side.

- The ejector should be slightly narrower than the product. *See table 1 for adjustment for specific products.* To achieve this, assemble the ejector in one of two different ways, as shown.

NOTE

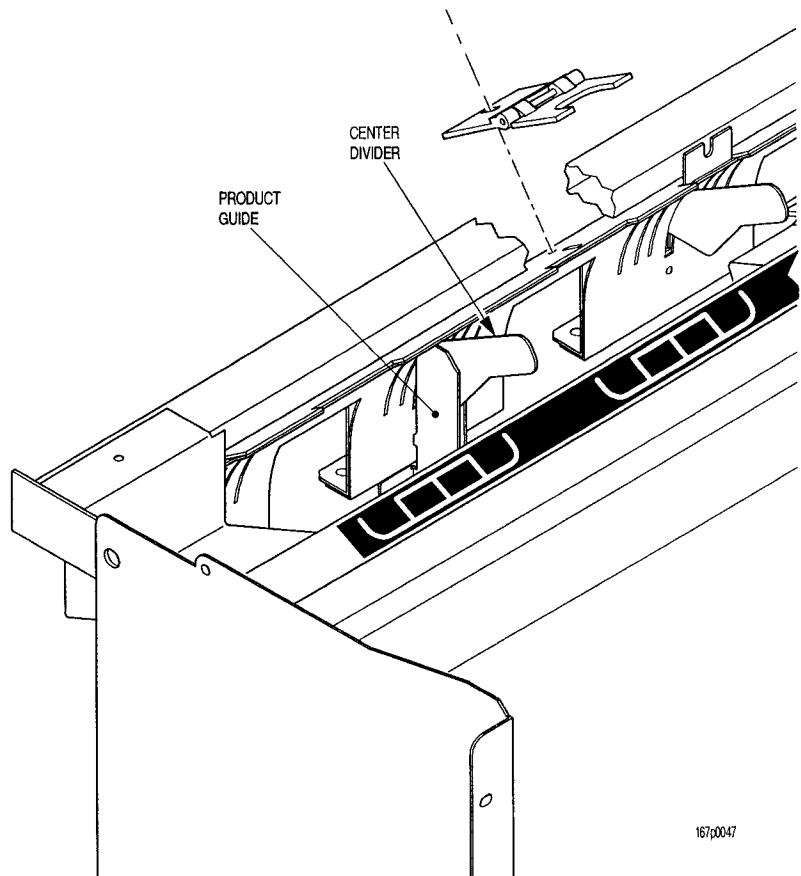
This adjustment will require the removal of the gum and mint dispenser from the delivery pan.



- Adjust the product hinge so that only one item is dispensed at a time. Recommendation: Set the hinge line for about 1/8" clearance to the product.

CAUTION

Make sure the center dividers are between two product guides.



5. Load the Gum and Mint Dispenser With Products

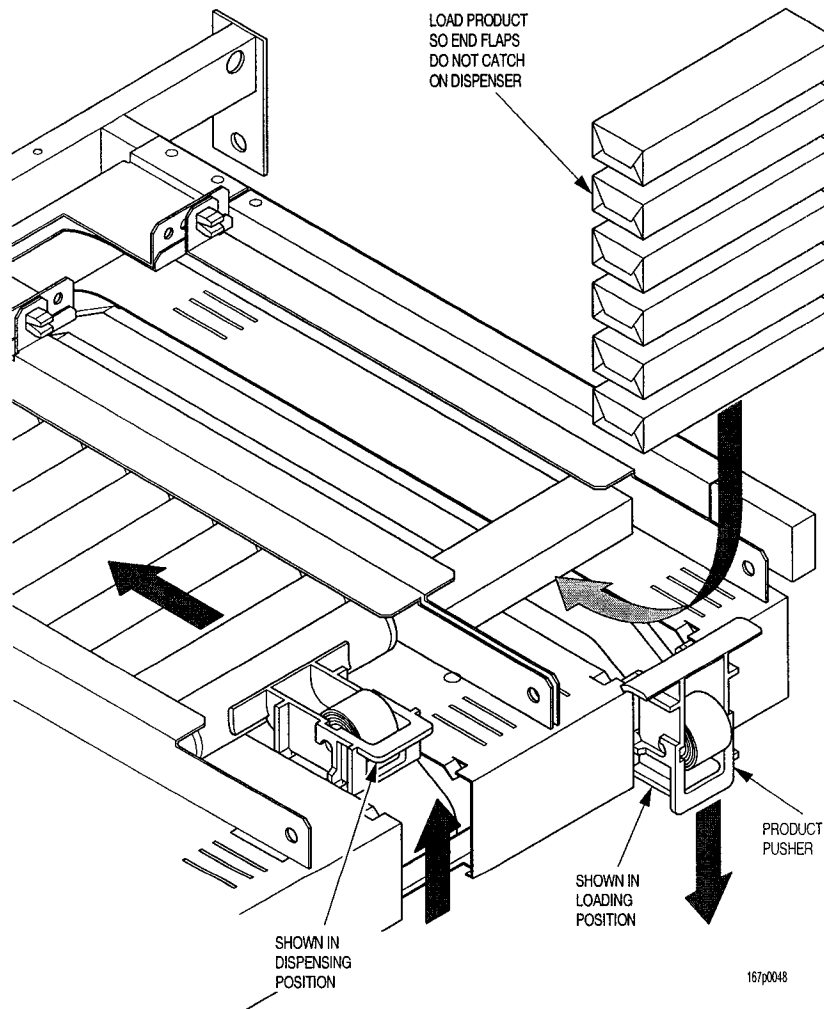
WARNING

Keep your hand on the product pusher until it is locked in place. Failure to do so may result in personal injury or in damage to the dispenser.

1. Move the product pusher into the loading position:
 - a. Pull back on the pusher.
 - b. Pull down on the pusher and lock the front glide into position.
2. Load the product:
 - a. There are only a few proper ways to orient the product in the gum and mint dispenser. Be sure that end flaps and seams in the product wrappers do not catch on the dispenser. Pay careful attention to the interaction between the product and the ejector.
 - b. Push the product forward.
 - c. Be sure the last item is completely under the product retaining lip.

WARNING

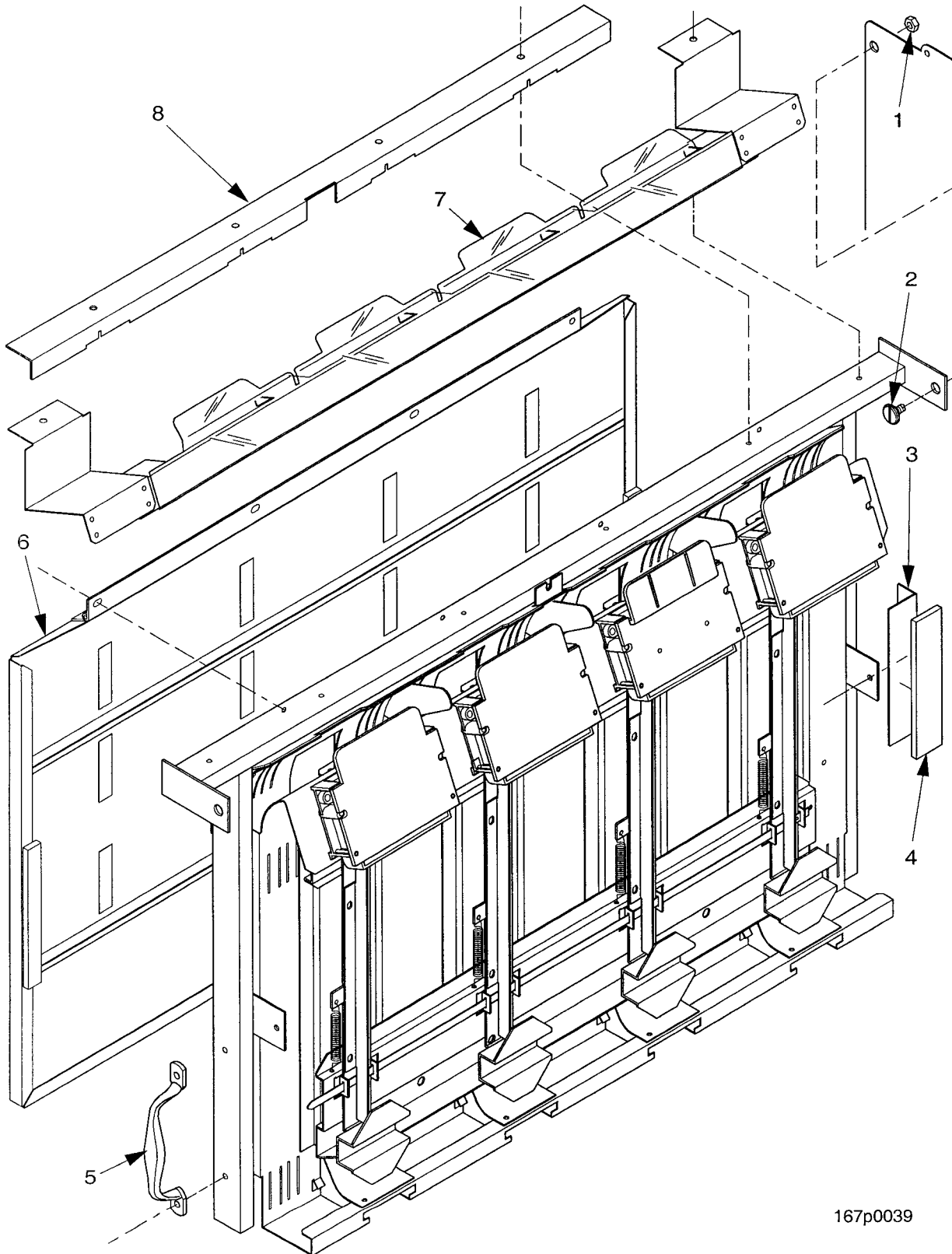
Keep your hand on the product pusher until it comes to rest behind the last item in the column. Failure to do so may result in personal injury or in damage to the dispenser.



6. Return the Gum and Mint Dispenser to the Vending Position

1. Make sure all product pushers are in the vending position.
2. Close the gum and mint assembly lid.
3. Hold the handle with your left hand. Release the hook with your right hand and lower the dispenser.
4. Continue to hold the handle until the dispenser has been fully lowered.
5. Replace the hook in the machine door.

Illustrated Parts Breakdown



167p0039

Figure 1

Table 1.

INDEX	PART NUMBER	DESCRIPTION	QTY.
1	1407048	NUT #10-32 SELF LOCKING	2
2	1479052	STUD-PIVOT-G&M	2
3	1479117	ANGLE-MAGNET	2
4	1479119	MAGNET-RETAINER	2
5	1479139	PULL-DOOR	1
6	1677179	COVER ASSEMBLY	1
7	1677177	FILLER & DEFLECTOR ASSEMBLY	1
8	1677047	HINGE RETAINER	1

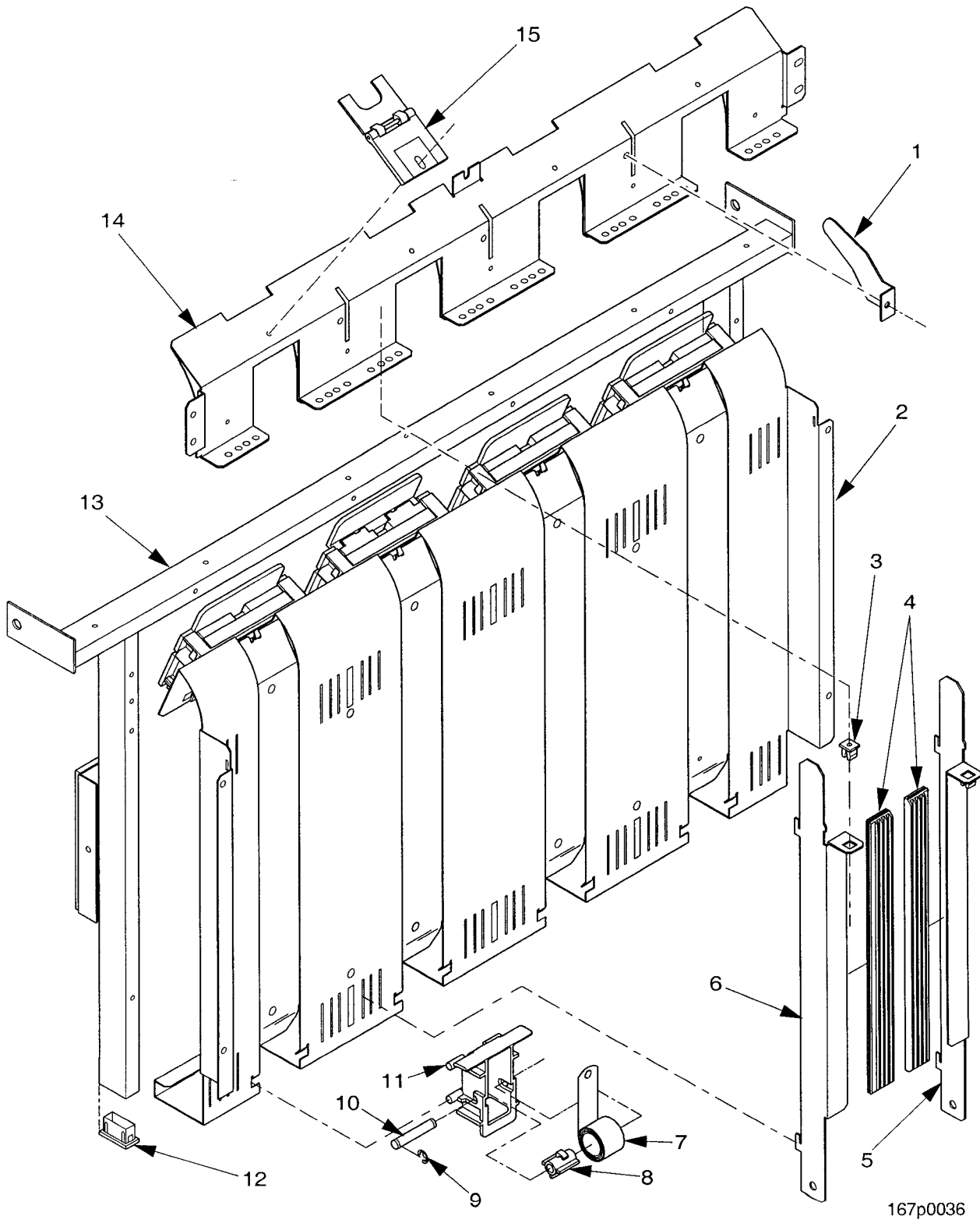
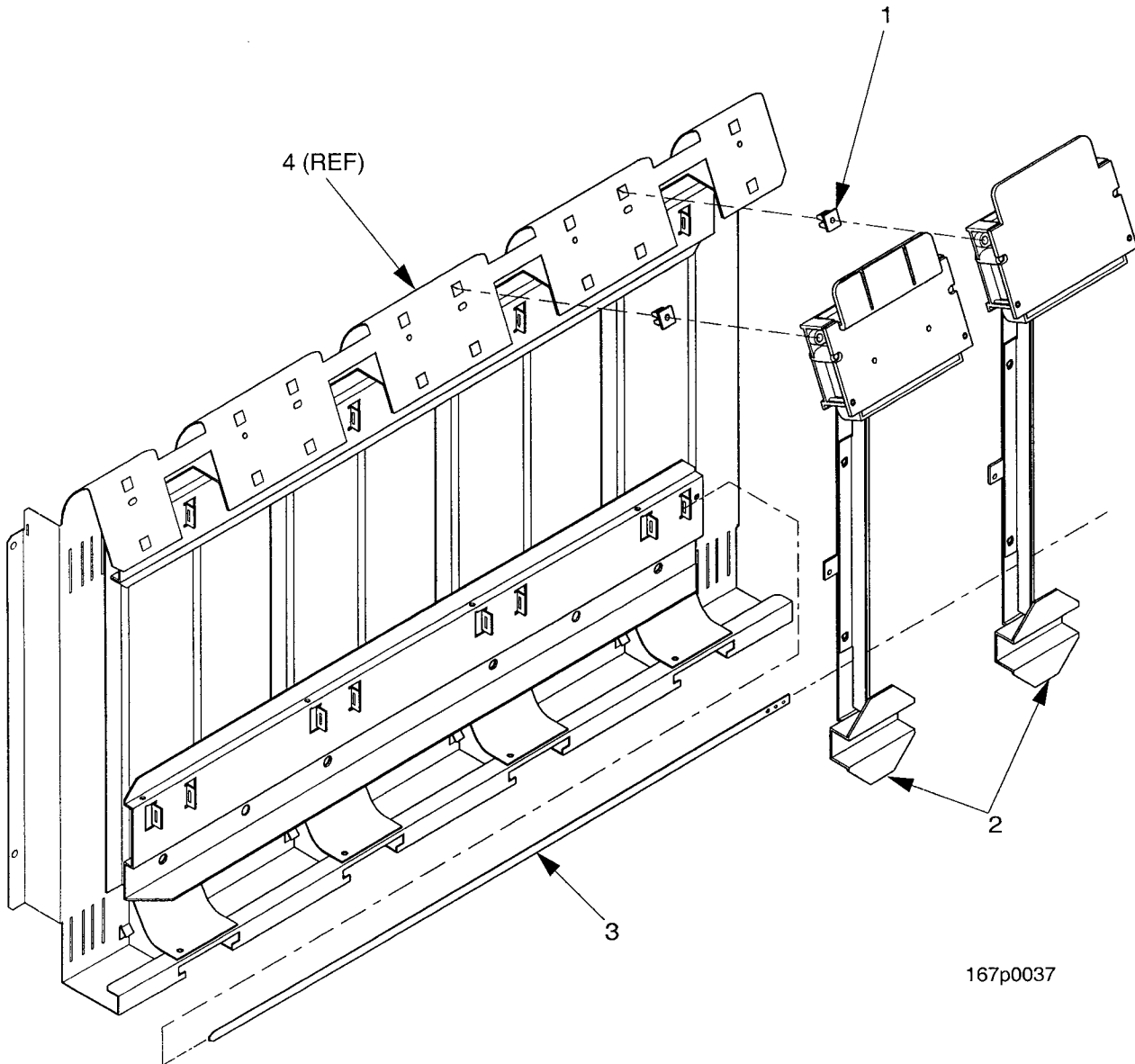


Figure 2

Table 2.

INDEX	PART NUMBER	DESCRIPTION	QTY.
1	1677017	DIVIDER-TOP	3
2	1677027	WELD ASSEMBLY-MODULE PANEL	1
3	4241162	NUT-SPACER-#8-.062	8
4	1677016	SPACER-DIVIDER	8
5	1677019	DIVIDER-RIGHT	4
6	1677018	DIVIDER-LEFT	4
7	1677041	SPRING-VARIABLE FORCE	4
8	1479080	SPOOL-SPRING	4
9	9900425	RETAINING RING REINF E TYP.250	8
10	1479099	PIN-PUSHER	4
11	1677035	PUSHER	4
12	1479120	CAPLUG-REC. 1/2 X 1	2
13	1677165	FRAME WELD ASSEMBLY	1
14	1677024	PRODUCT GUIDE ASSEMBLY-TOP	1
15	1677048	HINGE ASSEMBLY	4

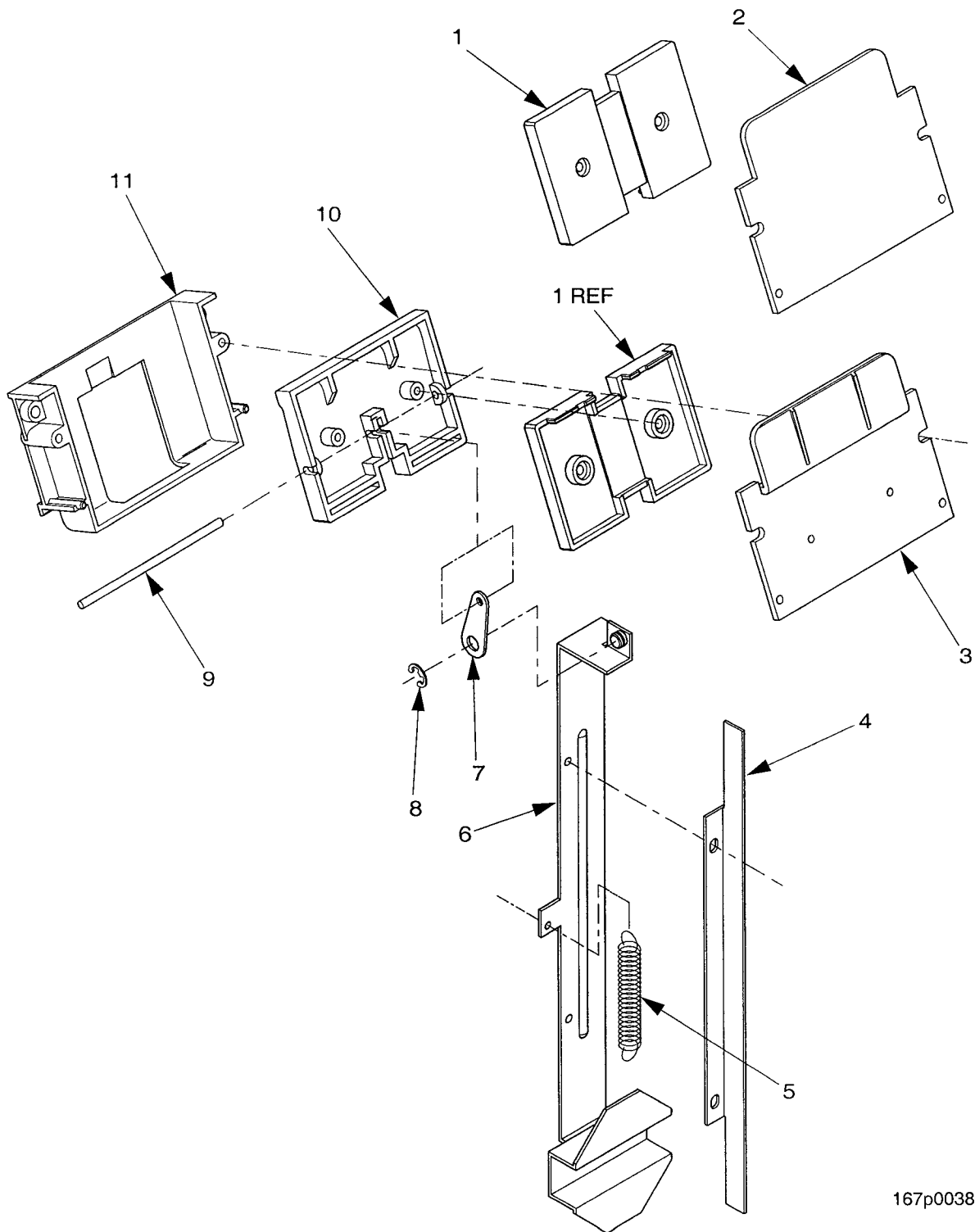


167p0037

Figure 3

Table 3.

INDEX	PART NUMBER	DESCRIPTION	QTY.
1	4241162	NUT-SPACER-#8-.062	8
2	-	PUSHER ASSEMBLY (SEE FIGURE 4 FOR DETAILS)	-
3	1677042	RETAINER-LINKAGE	2
4	1677027	WELD ASSEMBLY-MODULE PANEL	1

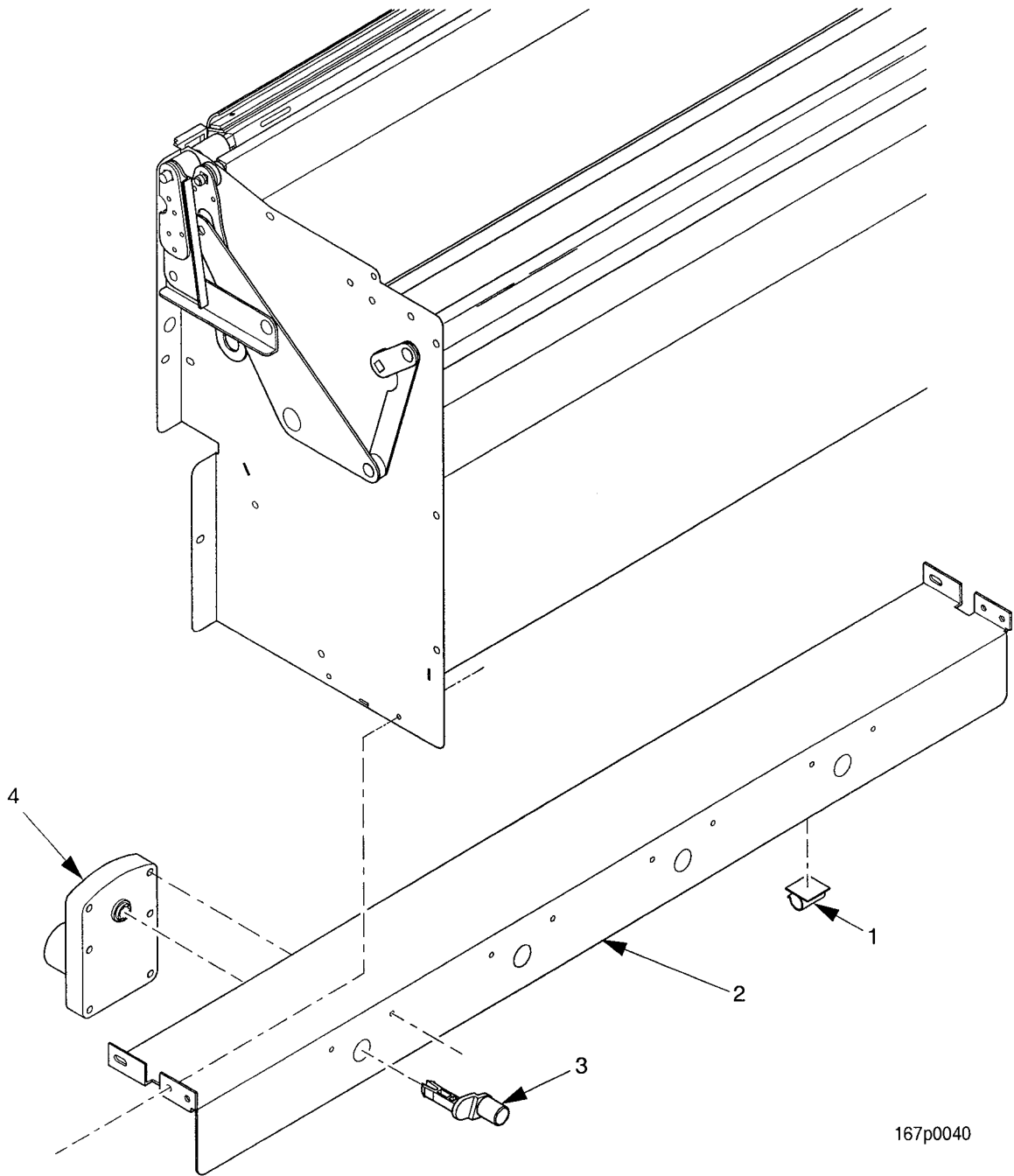


167p0038

Figure 4

Table 4.

INDEX	PART NUMBER	DESCRIPTION	QTY.
1	1677034	EXTENSION-EJECTOR	4
2	1677038	WINDOW-FLAT	3
3	1677039	WINDOW-OFFSET	1
4	1677174	STIFFENER-DRIVE BAR	4
5	4246307	SPRING-HORIZ SELECTOR ARM	4
6	1677171	DRIVE BAR & STUD ASSEMBLY	4
7	1479097	LINK-EJECTOR	4
8	9900425	RETAINING RING - REINF E TYP. 250	4
9	1677040	PIN-EJECTOR	4
10	1677033	EJECTOR	4
11	1677032	HOUSING-EJECTOR	4



167p0040

Figure 5

Table 5.

INDEX	PART NUMBER	DESCRIPTION	QTY.
1	6131143	CABLE CLAMP RICHCO#KKC6	1
2	1677014	ANGLE-MOTOR	1
3	1479126	ARM & ROLLER ASSEMBLY	4
4	1577038	MOTOR & PC BOARD ASSEMBLY	4
5	1679009	HARNESS-GUM & MINT MOTORS (NOT SHOWN)	1